



# Vehicle History Report™

US \$39.99

<b>2016 HONDA ODYSSEY EXL</b> VIN: 5FNRL5H65GB104015 VAN 3.5L V6 F SOHC 24V GASOLINE FRONT WHEEL DRIVE		Branded Title: Salvage	
		2 Previous owners	
		3 Service history records	
		Personal vehicle	
		Last owned in Alabama	
		95,883 Last reported odometer reading	

This CARFAX Vehicle History Report is based only on information supplied to CARFAX and available as of 6/4/21 at 7:56:02 AM (CDT). Other information about this vehicle, including problems, may not have been reported to CARFAX. Use this report as one important tool, along with a vehicle inspection and test drive, to make a better decision about your next used car.

Ownership History	Owner 1	Owner 2
The number of owners is estimated		
Year purchased	2016	2021
Type of owner	Personal	Personal
Estimated length of ownership	4 yrs. 11 mo.	30 days
Owned in the following states/provinces	Alabama	Alabama
Estimated miles driven per year	---	---
Last reported odometer reading	6,014	95,883

Title History	Owner 1	Owner 2
CARFAX guarantees the information in this section		
Salvage   Junk   Rebuilt   Fire   Flood   Hail   Lemon	No Problem	<b>Alert!</b> Problem Found
Not Actual Mileage   Exceeds Mechanical Limits	No Problem	No Problem



**ALERT!** - Severe problems were reported by a state Department of Motor Vehicles (DMV). This vehicle does not qualify for the CARFAX Buyback Guarantee.

Additional History	Owner 1	Owner 2
Not all accidents / issues are reported to CARFAX		
<b>Total Loss</b> No total loss reported to CARFAX.	No Issues Reported	No Issues Reported
<b>Structural Damage</b> CARFAX recommends that you have this vehicle inspected by a collision repair specialist.	No Issues Reported	No Issues Reported
<b>Airbag Deployment</b> No airbag deployment reported to CARFAX.	No Issues Reported	No Issues Reported
<b>Odometer Check</b> No indication of an odometer rollback.	No Issues Indicated	No Issues Indicated

<b>Accident / Damage</b> DMV title problems reported. Damage reported: 01/16/2017. Accident reported: 02/03/2021.	<b>Accident Reported</b>	<b>Severe Damage</b>
<b>Manufacturer Recall</b> No open recalls reported to CARFAX. Check with an authorized <a href="#">Honda dealer</a> for any open recalls.	No Recalls Reported	No Recalls Reported
<b>Basic Warranty</b> Original manufacturer warranty likely voided by manufacturer after vehicle was severely damaged.	Warranty Active	<b>Warranty Voided</b>



## Detailed History

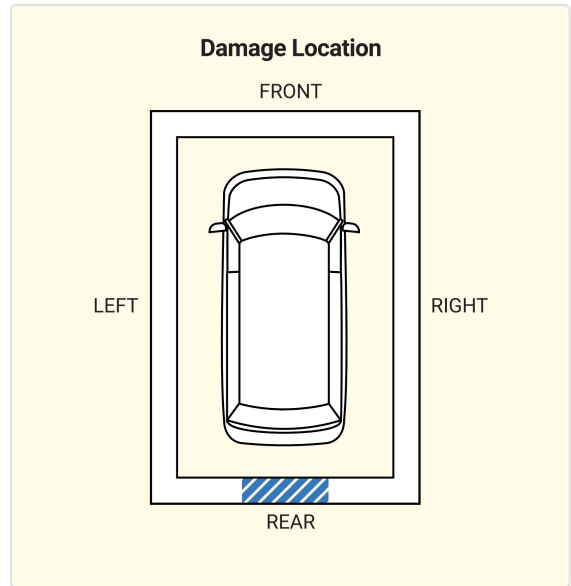
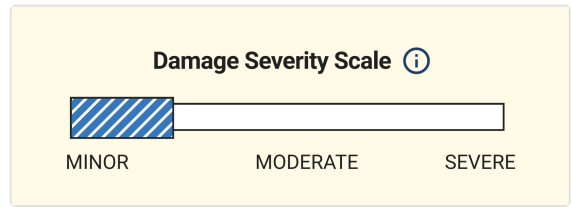
### Owner 1


Personal Vehicle

Purchased: 2016

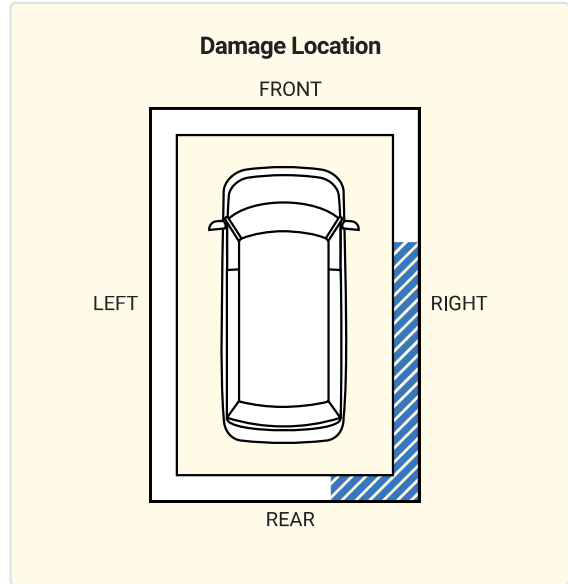
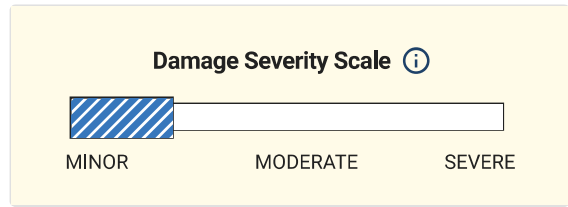
Date	Mileage	Source	Comments
05/06/2016	10	Willett Honda South Morrow, GA 770-968-1500 willetthonda.com 4.6 / 5.0 <a href="#">132 Verified Reviews</a>	<b>Vehicle serviced</b> - Pre-delivery inspection completed - Sunroof checked - Mud flaps/splash guards installed - Interior trim checked
05/06/2016	14	Alabama Motor Vehicle Dept.	<b>Vehicle purchase reported</b> - Titled or registered as personal vehicle
05/09/2016		Honda South Morrow, GA 770-968-1500 hondasouth.com 4.3 / 5.0 <a href="#">137 Verified Reviews</a> 2,883 Customer Favorites	<b>Vehicle serviced</b> - Pre-delivery inspection completed - Mud flaps/splash guards installed - Sunroof checked
06/22/2016		Alabama Motor Vehicle Dept. Montgomery, AL Title #52091552	<b>Title issued or updated</b> - Registration issued or renewed - First owner reported - Loan or lien reported - Vehicle color noted as White
08/02/2016	6,014	Willett Honda South Morrow, GA 770-968-1500 willetthonda.com 4.6 / 5.0 <a href="#">132 Verified Reviews</a>	<b>Vehicle serviced</b> - Maintenance inspection completed - Oil and filter changed - Tires rotated
08/12/2016		Alabama Motor Vehicle Dept. Montgomery, AL	<b>Registration issued or renewed</b> - Vehicle color noted as White
01/16/2017		Damage Report	<b>Damage reported: minor damage</b> - Damage to rear

# CARFAX HAS THE MOST ACCIDENT & DAMAGE INFORMATION



08/21/2017	Alabama Motor Vehicle Dept. Montgomery, AL	<b>Registration issued or renewed</b> - Vehicle color noted as White
08/20/2018	Alabama Motor Vehicle Dept. Montgomery, AL	<b>Registration issued or renewed</b> - Registration updated when owner moved the vehicle to a new location - Vehicle color noted as White
08/20/2019	Alabama Motor Vehicle Dept. Montgomery, AL	<b>Registration issued or renewed</b> - Vehicle color noted as White
08/25/2020	Alabama Motor Vehicle Dept. Pike Road, AL	<b>Registration issued or renewed</b> - Registration updated when owner moved the vehicle to a new location - Vehicle color noted as White
02/03/2021	Damage Report	 <b>Accident reported: minor damage</b> - Vehicle involved in a side impact collision with another motor vehicle - Damage to right rear - Damage to right side - Airbags did not deploy

# CARFAX HAS THE MOST ACCIDENT & DAMAGE INFORMATION



Owner 2			Personal Vehicle
Purchased: 2021			
Date	Mileage	Source	Comments
05/05/2021	95,883	Alabama Motor Vehicle Dept.	Vehicle purchase reported
05/20/2021		Alabama Motor Vehicle Dept. Montgomery, AL Title #106422637	<b>New owner reported</b> - <b>SALVAGE TITLE/CERTIFICATE ISSUED</b> - Vehicle color noted as White

Have Questions? Consumers, please visit our Help Center at [www.carfax.com](http://www.carfax.com). Dealers or Subscribers, please visit our Help Center at [www.carfaxonline.com](http://www.carfaxonline.com).

## Glossary

### Accident Indicator

CARFAX receives information about accidents in all 50 states, the District of Columbia and Canada.

Not every accident is reported to CARFAX. As details about the accident become available, those additional details are added to the CARFAX Vehicle History Report. CARFAX recommends that you have this vehicle inspected by a qualified mechanic.

- According to the National Safety Council, Injury Facts, 2015 edition, 8% of the 254 million registered vehicles in the U.S. were involved in an accident in 2013. Over 74% of these were considered minor or moderate.
- This CARFAX Vehicle History Report is based only on information supplied to CARFAX and available as of 6/4/21 at 7:56:02 AM (CDT). Other information about this vehicle, including problems, may not have been reported to CARFAX. Use this report as one important tool, along with a vehicle inspection and test drive, to make a better decision about your next used car.

### Damage Indicator

Damage can be a result of many different types of events. Examples include contact with objects (other cars, trees, traffic signs, road debris, etc), vandalism, or weather-related events. Not every damage event is reported to CARFAX. As details about the damage event become available, those additional details are added to the CARFAX Vehicle History Report. CARFAX recommends that you have this vehicle inspected by a qualified mechanic.

- This CARFAX Vehicle History Report is based only on information supplied to CARFAX and available as of 6/4/21 at 7:56:02 AM (CDT). Other information about this vehicle, including problems, may not have been reported to CARFAX. Use this report as one important tool, along with a vehicle inspection and test drive, to make a better decision about your next used car.

**Damage Severity**

Damage events result in one of the following severity levels:

- Minor: Generally, minor damage is cosmetic (including dents or scratches), may only require reconditioning, and typically does not compromise a vehicle's operation and/or safety.
- Moderate: Moderate damage may affect multiple components of the vehicle and may impair the vehicle's operation and/or safety.
- Severe: Severe damage usually affects multiple components of the vehicle and is likely to compromise the vehicle's operation and/or safety.

CARFAX recommends getting a pre-purchase inspection at a certified collision repair facility.

**First Owner**

When the first owner(s) obtains a title from a Department of Motor Vehicles as proof of ownership.

**New Owner Reported**

When a vehicle is sold to a new owner, the Title must be transferred to the new owner(s) at a Department of Motor Vehicles.

**Ownership History**

CARFAX defines an owner as an individual or business that possesses and uses a vehicle. Not all title transactions represent changes in ownership. To provide estimated number of owners, CARFAX proprietary technology analyzes all the events in a vehicle history. Estimated ownership is available for vehicles manufactured after 1991 and titled solely in the US including Puerto Rico. Dealers sometimes opt to take ownership of a vehicle and are required to in the following states: Maine, Massachusetts, New Jersey, Ohio, Oklahoma, Pennsylvania and South Dakota. Please consider this as you review a vehicle's estimated ownership history.

**Salvage Title**

A Salvage Title is issued on a vehicle damaged to the extent that the cost of repairing the vehicle exceeds approximately 75% of its pre-damage value. This damage threshold may vary by state. Some states treat Junk titles the same as Salvage but the majority use this title to indicate that a vehicle is not road worthy and cannot be titled again in that state. The following eleven states also use Salvage titles to identify stolen vehicles - AZ, FL, GA, IL, MD, MN, NJ, NM, NY, OK and OR.

**Title Issued**

A state issues a title to provide a vehicle owner with proof of ownership. Each title has a unique number. Each title or registration record on a CARFAX report does not necessarily indicate a change in ownership. In Canada, a registration and bill of sale are used as proof of ownership.

Follow Us:



[facebook.com/CARFAX](https://facebook.com/CARFAX)



[@CARFAXinc](https://twitter.com/CARFAXinc)



About CARFAX

CARFAX DEPENDS ON ITS SOURCES FOR THE ACCURACY AND RELIABILITY OF ITS INFORMATION. THEREFORE, NO RESPONSIBILITY IS ASSUMED BY CARFAX OR ITS AGENTS FOR ERRORS OR OMISSIONS IN THIS REPORT. CARFAX FURTHER EXPRESSLY DISCLAIMS ALL WARRANTIES, EXPRESS OR IMPLIED, INCLUDING ANY IMPLIED WARRANTIES OF MERCHANTABILITY OR FITNESS FOR A PARTICULAR PURPOSE.

© 2021 CARFAX, Inc., a unit of IHS Markit Ltd. All rights reserved.  
6/4/21 7:56:02 AM (CDT)

I have reviewed and received a copy of the CARFAX Vehicle History Report for this 2016 HONDA ODYSSEY vehicle (VIN: 5FNRL5H65GB104015), which is based on information supplied to CARFAX and available as of 6/4/21 at 8:56 AM (EDT).

\_\_\_\_\_  
Customer Signature

\_\_\_\_\_  
Date

\_\_\_\_\_  
Dealer Signature

\_\_\_\_\_  
Date