



Vehicle History Report™

**2017 VOLKSWAGEN GTI
S/SE/AUTOBAHN**

VIN: 3VW447AUXHM033416
HATCHBACK 4 DR
2L I4 F DOHC 16V
GASOLINE
FRONT WHEEL DRIVE



Total loss vehicle



2 Previous owners



11 Service history records



Types of owners: Corporate fleet,
Personal



Last owned in California



80,932 Last reported odometer
reading

This CARFAX Vehicle History Report is based only on information supplied to CARFAX and available as of 12/14/21 at 2:18:28 PM (CST). Other information about this vehicle, including problems, may not have been reported to CARFAX. Use this report as one important tool, along with a vehicle inspection and test drive, to make a better decision about your next used car.



Ownership History

The number of owners is estimated

Owner 1

Owner 2

Year purchased

2017

2018

Type of owner

Corporate fleet

Personal

Estimated length of ownership

8 months

3 yrs. 6 mo.

Owned in the following states/provinces

California

California

Estimated miles driven per year

25,005/yr

Last reported odometer reading

6,126

80,932



Title History

CARFAX guarantees the information in this section

Owner 1

Owner 2

Salvage | Junk | Rebuilt | Fire | Flood | Hail | Lemon

No Problem

No Problem

Not Actual Mileage | Exceeds Mechanical Limits

No Problem

No Problem



Additional History

Not all accidents / issues are reported to CARFAX

Owner 1

Owner 2

Total Loss

Total Loss Reported: 10/07/2021.



No Issues
Reported

Total Loss Reported

Structural Damage

CARFAX recommends that you have this vehicle inspected
by a collision repair specialist.



No Issues
Reported



No Issues
Reported

Airbag Deployment

No airbag deployment reported to CARFAX.



No Issues
Reported



No Issues
Reported

Odometer Check

No indication of an odometer rollback.



No Issues
Indicated



No Issues
Indicated

Accident / Damage



No Issues

Damage Reported

Damage reported: 08/16/2019, 02/16/2021, and 10/28/2021.

Reported

Manufacturer Recall

No open recalls reported to CARFAX.



No Recalls Reported



No Recalls Reported

Basic Warranty

[Original warranty](#) estimated to have expired.

Warranty Expired

Warranty Expired



Detailed History

Owner 1

Purchased: 2017

Corporate Fleet Vehicle

Date	Mileage	Source	Comments
Not Reported		NICB	Vehicle manufactured and shipped to California
01/20/2017	10	Volkswagen of Van Nuys Van Nuys, CA 818-785-7111 volkswagenannuys.com ★ 4.5 / 5.0 39 Verified Reviews	Vehicle offered for sale
01/24/2017		Volkswagen of Van Nuys Van Nuys, CA 818-785-7111 volkswagenannuys.com ★ 4.5 / 5.0 39 Verified Reviews	Vehicle serviced - Pre-delivery inspection completed
04/03/2017	55	L&A Garage Canoga Park, CA 818-963-8914 landagarage.m1scrm.com/ ♥ 12 Customer Favorites	Vehicle serviced - Four wheel alignment performed
07/10/2017	115	California Motor Vehicle Dept. Van Nuys, CA	Title issued or updated - First owner reported - Loan or lien reported - Titled or registered as corporate fleet vehicle
04/04/2018	6,126	Volkswagen of Van Nuys Van Nuys, CA 818-785-7111 volkswagenannuys.com ★ 4.5 / 5.0 39 Verified Reviews	Vehicle serviced - Tire condition and pressure checked - Oil and filter changed - Safety inspection performed - Wiper(s) replaced
04/05/2018		Volkswagen of Van Nuys Van Nuys, CA 818-785-7111 volkswagenannuys.com ★ 4.5 / 5.0 39 Verified Reviews	Vehicle offered for sale

Owner 2

Purchased: 2018

Personal Vehicle
25,005 mi/yr

Date	Mileage	Source	Comments
05/22/2018	6,600	California Motor Vehicle Dept. Los Angeles, CA	Odometer reading reported
06/05/2018		California Motor Vehicle Dept. Los Angeles, CA	Title issued or updated - New owner reported - Loan or lien reported
10/23/2018	17,123	Volkswagen of Van Nuys Van Nuys, CA 818-785-7111	Vehicle serviced - Maintenance inspection completed - Oil and filter changed

volkswagenannuys.com

★ 4.5 / 5.0

[39 Verified Reviews](#)

- Tire condition and pressure checked

04/17/2019
Å

29,482 Å

Volkswagen of Van Nuys
Van Nuys, CA
818-785-7111
volkswagenannuys.com

★ 4.5 / 5.0

[39 Verified Reviews](#)



Vehicle serviced

- Maintenance inspection completed
- Tire condition and pressure checked

08/16/2019
Å

Damage Report

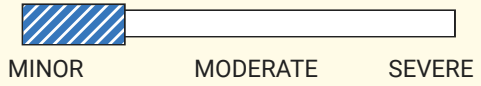


Damage reported: minor damage

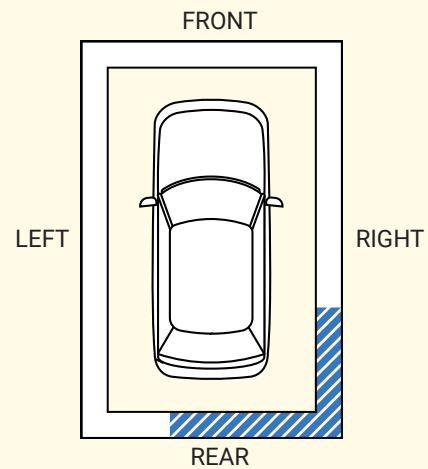
- Damage to right rear
- Damage to rear

CARFAX HAS THE MOST ACCIDENT & DAMAGE INFORMATION

Damage Severity Scale



Damage Location



08/27/2019
Å

39,655 Å

Pep Boys
Westchester, CA
310-670-2420
pepboys.com

★ 4.2 / 5.0

[41 Verified Reviews](#)

♥ 148 Customer Favorites



Vehicle serviced

- Tire(s) balanced
- Tire(s) mounted

09/12/2020
Å

67,621 Å

Pep Boys
Santa Clarita, CA
661-251-8004
pepboys.com

★ 4.5 / 5.0

[49 Verified Reviews](#)

♥ 164 Customer Favorites



Vehicle serviced

- Tires rotated
- Oil and filter changed
- Axle(s) replaced
- Alignment performed
- Alignment checked
- Tire(s) balanced
- Tire(s) mounted
- Tire repaired

09/12/2020
Å

Warrantech Automotive, Inc.
Los Angeles, CA
warrantech.com

Service contract issued

09/21/2020
Å

68,025 Å

Pep Boys
Santa Clarita, CA
661-251-8004
pepboys.com

★ 4.5 / 5.0

[49 Verified Reviews](#)

♥ 164 Customer Favorites



Vehicle serviced

- Tire(s) balanced
- Tire(s) mounted

11/03/2020
Å

Pep Boys
Westchester, CA
310-670-2420
pepboys.com

★ 4.2 / 5.0



Vehicle serviced

- Maintenance inspection completed
- Wiper(s) replaced
- Tire condition and pressure checked
- Tires rotated
- Oil and filter changed

[41 Verified Reviews](#)

♥ 148 Customer Favorites

12/14/2020
^

Pep Boys
Westchester, CA
310-670-2420
pepboys.com

★ 4.2 / 5.0

[41 Verified Reviews](#)

♥ 148 Customer Favorites



Vehicle serviced
- Electrical system checked

02/16/2021
^

Damage Report



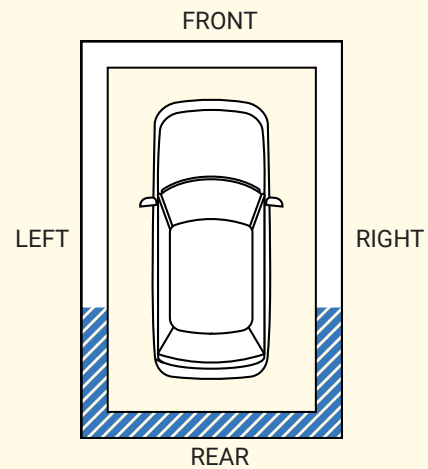
Damage reported: moderate damage
- Damage to left rear
- Damage to rear
- Damage to right rear

CARFAX HAS THE MOST ACCIDENT & DAMAGE INFORMATION

Damage Severity Scale



Damage Location



05/11/2021
^

80,932 ^

Best Performance Tire & Complete Service
Los Angeles, CA
424-702-5005
<https://facebook.com/best-performance-tire-auto-services-100196495380224/>



Vehicle serviced
- Oil and filter changed

10/07/2021
^

Damage Report



TOTAL LOSS VEHICLE
- Vehicle declared a total loss by an insurance company
- Non-collision damage reported

There are many reasons an insurance company will declare a vehicle a total loss. Have this vehicle inspected by a qualified technician before you buy. [Learn More](#)

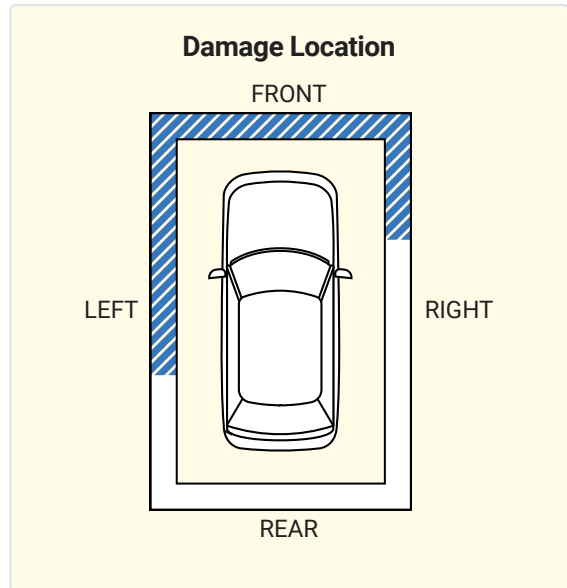
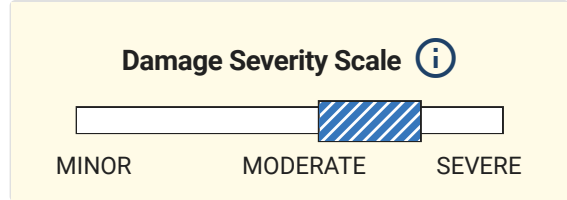
10/28/2021
^

Damage Report



Damage reported: moderate to severe damage
- Damage to undercarriage
- Damage to left front
- Damage to left side
- Damage to right front
- Damage to front

CARFAX HAS THE MOST ACCIDENT & DAMAGE INFORMATION



11/12/2021
Å

California
Motor Vehicle Dept.
Los Angeles, CA

Title issued or updated
- Loan or lien reported

Avoid financial headaches. Make sure the loan has been paid off if you're buying from a private seller. [Learn More](#)



Glossary

Damage Indicator

Damage can be a result of many different types of events. Examples include contact with objects (other cars, trees, traffic signs, road debris, etc), vandalism, or weather-related events. Not every damage event is reported to CARFAX. As details about the damage event become available, those additional details are added to the CARFAX Vehicle History Report. CARFAX recommends that you have this vehicle inspected by a qualified mechanic.

- This CARFAX Vehicle History Report is based only on information supplied to CARFAX and available as of 12/14/21 at 2:18:28 PM (CST). Other information about this vehicle, including problems, may not have been reported to CARFAX. Use this report as one important tool, along with a vehicle inspection and test drive, to make a better decision about your next used car.

Damage Severity

Damage events result in one of the following severity levels:

- **Minor:** Generally, minor damage is cosmetic (including dents or scratches), may only require reconditioning, and typically does not compromise a vehicle's operation and/or safety.
- **Moderate:** Moderate damage may affect multiple components of the vehicle and may impair the vehicle's operation and/or safety.
- **Severe:** Severe damage usually affects multiple components of the vehicle and is likely to compromise the vehicle's operation and/or safety.

CARFAX recommends getting a pre-purchase inspection at a certified collision repair facility.

First Owner

When the first owner(s) obtains a title from a Department of Motor Vehicles as proof of ownership.

Fleet Vehicle

Vehicle was registered or sold to a company that manages vehicle fleets.

New Owner Reported

When a vehicle is sold to a new owner, the Title must be transferred to the new owner(s) at a Department of Motor Vehicles.

Ownership History

CARFAX defines an owner as an individual or business that possesses and uses a vehicle. Not all title transactions represent changes in ownership. To provide estimated number of owners, CARFAX proprietary technology analyzes all the events in a vehicle history. Estimated ownership is available for vehicles manufactured after 1991 and titled solely in the US including Puerto Rico. Dealers sometimes opt to take ownership of a vehicle and are required to in the following states: Maine, Massachusetts, New Jersey, Ohio, Oklahoma, Pennsylvania and South Dakota. Please consider this as you review a vehicle's estimated ownership history.

Title Issued

A state issues a title to provide a vehicle owner with proof of ownership. Each title has a unique number. Each title or registration record on a CARFAX report does not necessarily indicate a change in ownership. In Canada, a registration and bill of sale are used as proof of ownership.

Total Loss Vehicle

An insurance or fleet company declares a vehicle a total loss when a claim exceeds approximately 75% of its pre-damage value or if the vehicle is stolen and not recovered. This damage threshold varies by company. These companies typically take possession and obtain the title. Not all total loss vehicles result in a DMV-reported branded title. This may occur when an insurance company's definition of a total loss is different than the state DMV's definition for a branded title or when the owner of the vehicle is a self-insured company, like a fleet or rental company.